

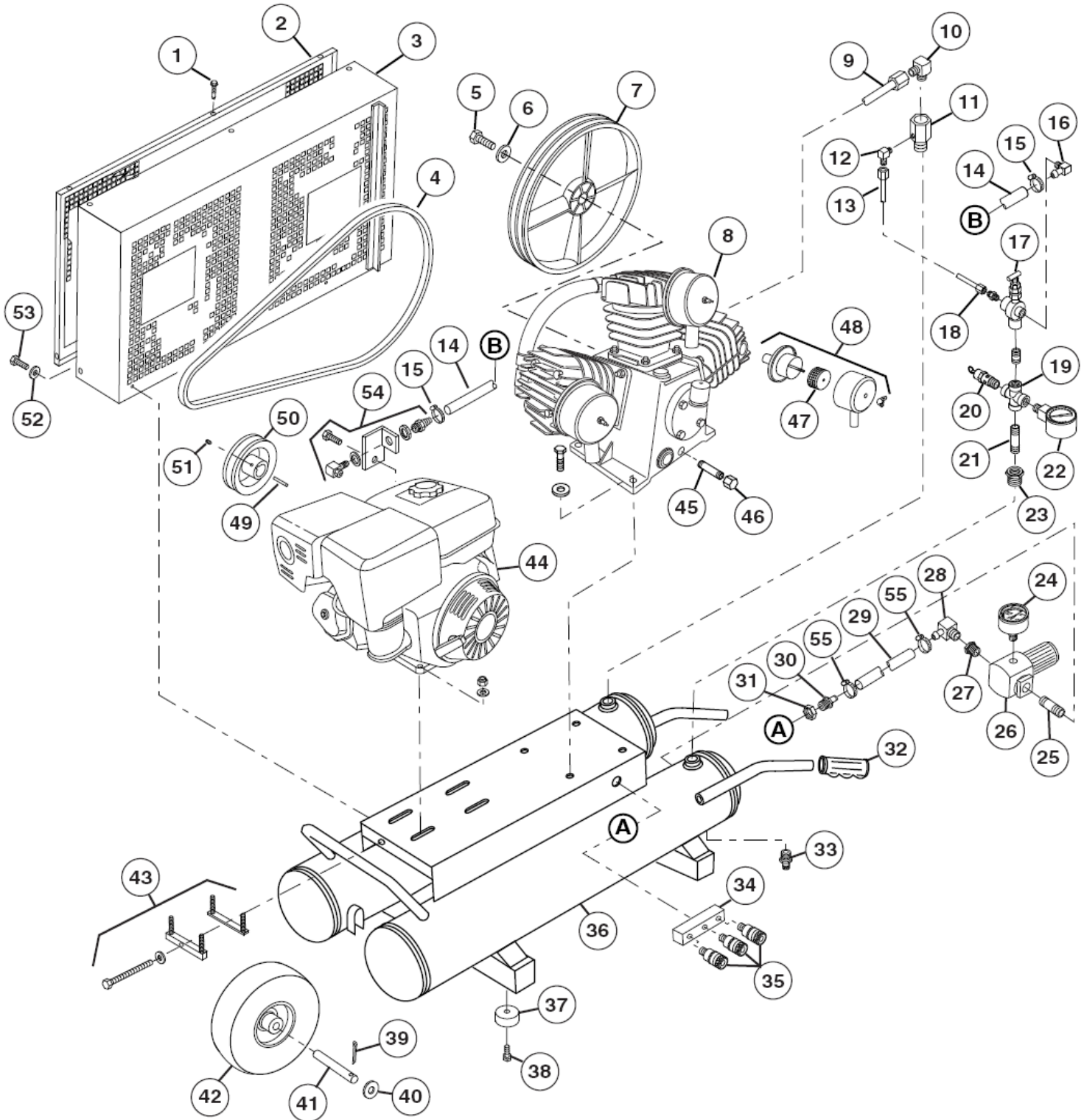


Attention: Any repairs or replacements must be done by a qualified person or an authorized service center.

Local DC: 1-800-676-7777
Factory Warranty: 1-800-207-9259
Fax: 1-800-207-9614

www.grip-rite.com

MODEL : GR90G10X

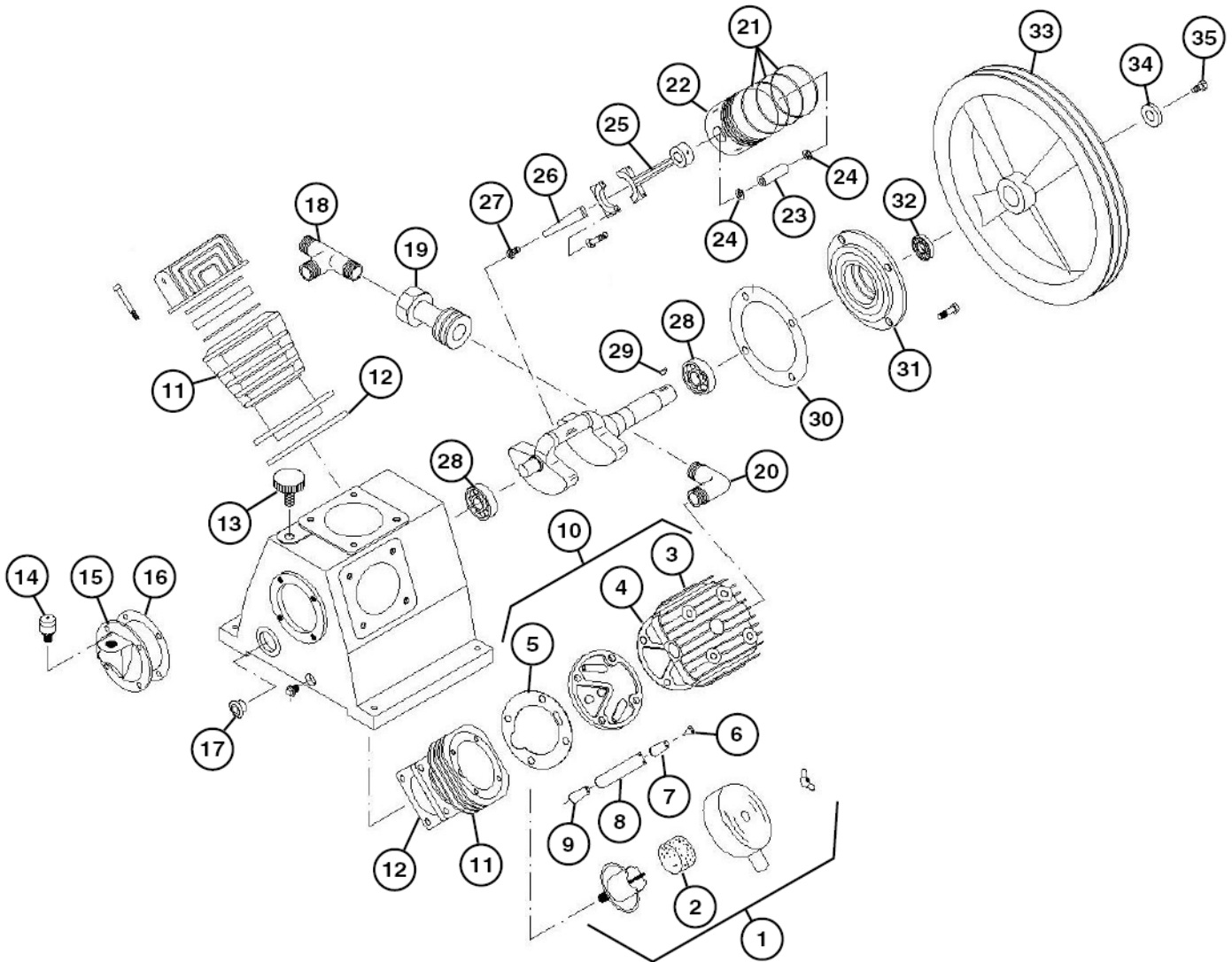




Attention: Any repairs or replacements must be done by a qualified person or an authorized service center.

Local DC: 1-800-676-7777
Factory Warranty: 1-800-207-9259
Fax: 1-800-207-9614
www.grip-rite.com

MODEL : GR90G10X - PUMP



GR90G10X

PARTS LIST

| REF NO. | DESCRIPTION | QTY. | PART # |
|---------|-----------------------------|-------|----------|
| 1 | Screw | 5 | GRCE1490 |
| 2 | Belt Guard Cover | 1 | GRCE1170 |
| 3 | Belt Guard Base | 1 | GRCE1150 |
| 4 | Belt | 1 | GRCE1350 |
| 5 | Bolt | 1 | GRCE1630 |
| 6 | Washer | 1 | GRCE1640 |
| 7 | Flywheel | 1 | GRCE1650 |
| 8 | Complete Pump with Flywheel | 1 | GRCE850 |
| 9 | Delivery Tube with Fittings | 1 | GRCE1430 |
| 10 | Elbow | 1 | GRCE1290 |
| 11 | Check Valve | 1 | GRCE1360 |
| 12 | Elbow | 1 | GRCE1260 |
| 13 | Tubing - 1/4" | 1.2' | GRCE1100 |
| 14 | Rubber Hose - 1/4" | 2.5' | GRCE1020 |
| 15 | Screw Clamp 1/4" | 2 | GRCE1310 |
| 16 | Elbow | 1 | GRCE1270 |
| 17 | Pilot Valve | 1 | GRCE1060 |
| 18 | Compression Nut - 1/4" | 2 | GRCE1300 |
| | Compression Ring - 1/4" | 2 | GRCE1320 |
| | Compression Insert - 1/4" | 2 | GRCE1330 |
| 19 | Cross | 1 | GRCE1210 |
| 20 | Safety Valve | 1 | GRCE1590 |
| 21 | Nipple | 1 | GRCE1220 |
| 22 | Gauge | 1 | GRCE1410 |
| 23 | Bushing | 1 | GRCE1190 |
| 24 | Gauge | 1 | GRCE1400 |
| 25 | Nipple | 1 | GRCE1240 |
| 26 | Regulator | 1 | GRCE1560 |
| 27 | Bushing | 1 | GRCE1180 |
| 28 | Elbow | 1 | GRCE1280 |
| 29 | Rubber Hose - 3/8" | 1.34' | GRCE1090 |

| REF NO. | DESCRIPTION | QTY. | PART # |
|---------|------------------------|------|----------|
| 30 | Hose Barb | 1 | GRCE1250 |
| 31 | Washer -1/2" | 1 | GRCE2230 |
| 32 | Handle Grip | 2 | GRCE1050 |
| 33 | Drain Valve | 2 | GRCE1070 |
| 34 | Triple Manifold | 1 | GRCE1010 |
| 35 | Quick Coupler | 3 | GRCE1390 |
| 36 | Tank Assembly | 1 | GRCE1610 |
| 37 | Rubber Pad | 4 | GRCE1040 |
| 38 | Screw | 4 | GRCE1460 |
| 39 | Cotter Pin | 2 | GRCE1110 |
| 40 | Machine Bushing | 6 | GRCE1520 |
| 41 | Axle | 1 | GRCE1030 |
| 42 | Wheel | 1 | GRCE1620 |
| 43 | Belt Tensioner Kit | 1 | GRCE1580 |
| 44 | Engine | 1 | GRCE730 |
| 45 | Drain Pipe | 1 | GRCE870 |
| 46 | Cap | 1 | GRCE1200 |
| 47 | Element | 3 | GRCE50 |
| 48 | Intake Filter Assembly | 3 | GRCE130 |
| 49 | Keystock | 1 | GRCE1510 |
| 50 | Pulley | 1 | GRCE1550 |
| 51 | Setscrew | 1 | GRCE1470 |
| 52 | Washer | 2 | GRCE1530 |
| 53 | Bolt | 2 | GRCE1480 |
| 54 | Idle Control Kit | 1 | GRCE1130 |
| 55 | Screw Clamp - 3/8" | 2 | GRCE1080 |

GR90G10X - PUMP

PARTS LIST

| REF # | PART # | DESCRIPTION | QTY |
|-------|----------|----------------------------|-----|
| 1 | GRCE130 | Intake Filter Assembly | 3 |
| 2 | GRCE50 | Intake Element | 3 |
| 3 | GRCE520 | Cylinder Head | 3 |
| 4 | GRCE570 | Gasket | 3 |
| 5 | GRCE560 | Gasket | 3 |
| 6 | GRCE1660 | Triangle Valve Spring | 6 |
| 7 | GRCE210 | Lift Limiter | 6 |
| 8 | GRCE550 | Inlet Valve | 3 |
| 9 | GRCE1670 | Outlet Valve | 6 |
| | GRCE1680 | Lock Screws (not shown) | 18 |
| 10 | GRCE1690 | Valve Plate Assembly | 3 |
| 11 | GRCE580 | Cylinder | 3 |
| 12 | GRCE330 | Gasket | 3 |
| 13 | GRCE100 | Oil Fill Plug | 1 |
| 14 | GRCE110 | Crankcase Vent | 1 |
| 15 | GRCE380 | Bearing Carrier | 1 |
| 16 | GRCE390 | Gasket | 1 |
| 17 | GRCE120 | Oil Sight Gauge | 1 |
| 18 | GRCE1700 | T-Fitting | 2 |
| 19 | GRCE490 | Discharge Pipe | 2 |
| 20 | GRCE140 | Elbow | 1 |
| 21 | GRCE1440 | Ring Set | 3 |
| 22 | GRCE410 | Piston | 3 |
| 23 | GRCE1710 | Piston Pin | 3 |
| 24 | GRCE1720 | Snap Ring | 6 |
| 25 | GRCE430 | Connecting Rod with Dipper | 3 |
| 26 | GRCE1730 | Dipper - Angled | 2 |
| | GRCE1740 | Dipper - Straight | 1 |
| 27 | GRCE1750 | Bolt - Dipper | 6 |
| 28 | GRCE610 | Bearing | 2 |
| 29 | GRCE1760 | Keystock | 1 |
| 30 | GRCE370 | Gasket | 1 |
| 31 | GRCE360 | Bearing Carrier - Front | 1 |
| 32 | GRCE400 | Oil Seal | 1 |
| 33 | GRCE1650 | Flywheel | 1 |
| 34 | GRCE1640 | Washer | 1 |
| 35 | GRCE1630 | Bolt | 1 |