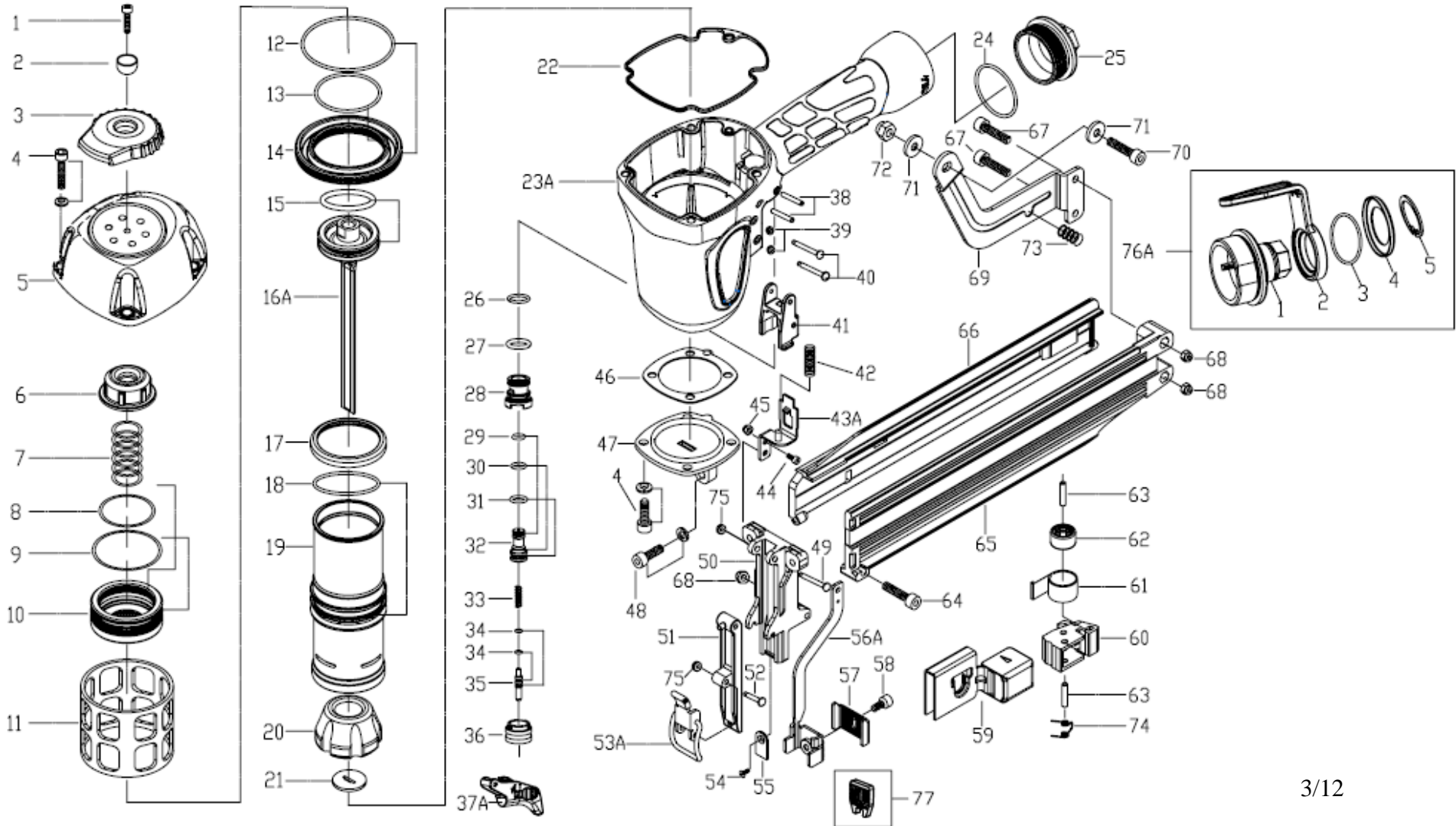




Attention: Any repairs or replacements must be done by a qualified person or an authorized service center.

Local DC: 1-800-676-7777  
Factory Warranty: 1-800-207-9259  
Fax: 1-800-207-9614  
[www.grip-rite.com](http://www.grip-rite.com)

# GRTSM200a



# GRTSM200a

with selectable trigger

## PARTS LIST

Item#	Part #	Description	Q'ty
1	GRTN3360	Hex.Soc.Hd.Bolt	1
2	GRTN3220	Deflector Bushing	1
3	GRTN3230	Deflector	1
4	GRTN1990	Hex.Soc.Hd.Bolt	8
5	GRTN3740	Cap	1
6	GRTN3750	Piston Stopper	1
7	GRTN5150	Spring	1
8	GRTN3350	O-Ring	1
9	GRTN2300	O-Ring	1
10	GRTN570	Piston Head Valve	1
11	GRTN3240	Cylinder Hold Down	1
12	GRTN2310	O-Ring	1
13	GRTN2320	O-Ring	1
14	GRTN610	Cylinder Spacer	1
15	GRTN2360	O-Ring	1
16A	GRTN7940	Driver Assembly	1set
17	GRTN600	Cylinder Seal	1
18	GRTN2200	O-Ring	1
19	GRTN3250	Cylinder	1
20	GRTN620	Bumper	1
21	GRTN3770	Driver Guide	1
22	GRTN550	Cap Gasket	1
23A	GRTN3780	Body Assembly	1set
24	GRTN4430	O-Ring	1
25	GRTN4450	End Cap - Old Style	1
26	GRTN2220	O-Ring	1
27	GRTN2240	O-Ring	1
28	GRTN800	Valve	1
29	GRTN2100	O-Ring	1
30	GRTN6250	O-Ring	1

Item#	Part #	Description	Q'ty
31	GRTN2170	O-Ring	1
32	GRTN805	Valve Plunger	1
33	GRTN830	Spring	1
34	GRTN2230	O-Ring	2
35	GRTN8100	Plunger	1
36	GRTN820	Plunger Cap	1
37A	GRTN8090	Trigger Assembly	1set
38	GRTN2540	Spring Pin	2
39	GRTN2210	Grommet	2
40	GRTN790	Trigger Pin	2
41	GRTN3807	Contact Trip Guide	1
42	GRTN3260	Safety Spring	1
43A	GRTN8180	Upper Safety Lever Assy	1set
44	GRTN1870	Hex.Soc.Hd.Bolt	1
45	GRTN2060	Locknut	1
46	GRTN3820	Gasket	1
47	GRTN3830	Bottom	1
48	GRTN3840	Hex.Soc.Hd.Bolt	2
49	GRTN7960	Door Latch Pin	1
50	GRTN7950	Nose	1
51	GRTN3870	Door	1
52	GRTN1250	Pin	1
53A	GRTN3880	Latch Door Assembly	1set
54	GRTN3890	Hex.Soc.Hd.Bolt	1
55	GRTN3900	Steel	1
56A	GRTN3910	Lower Safety Lever Assy.	1
57	GRTN3920	Safety Cover	1
58	GRTN3930	Hex.Soc.Hd.Bolt	1
59	GRTN3940	Pusher	1
60	GRTN3950	Latch	1

Item#	Part #	Description	Q'ty
61	GRTN3960	Spiral Spring	1
62	GRTN3970	Roller	1
63	GRTN3980	Roller Pin	2
64	GRTN3990	Hex.Soc.Hd.Bolt	1
65	GRTN4000	Magazine	1
66	GRTN4010	Magazine Cap	1
67	GRTN4020	Hex.Soc.Hd.Bolt	2
68	GRTN3340	Locknut	3
69	GRTN4030	Bracket	1
70	GRTN4040	Hex.Soc.Hd.Bolt	1
71	GRTN4050	Flat Washer	2
72	GRTN2080	Locknut	1
73	GRTN4060	Spring	1
74	GRTN4070	Spring	1
75	GRTN2470	O-Ring	2
76A	GRTN4150	Belt Hook Assembly	1set
76A-1	GRTN4480	End Cap	1
76A-2	GRTN4110	Belt Hook	1
76A-3	GRTN4140	O-Ring	1
76A-4	GRTN4120	Spring Plate	1
76A-5	GRTN4440	C-Ring	1

### Special Kits

Item#	Part #	Description	Q'ty
	GRDAK1100	Driver Assembly Kit	1set
	GRRBK1100	Rebuild Kit	1set
	CASESM200	Tool Case	1
	MANSM200	Operators Manual	1
77	GRTN8120	Vinyl Siding Attachment	1
	GRTRK800	Trigger Valve Assembly	1set

3/12

IF SWITCHING FROM SINGLE USE TRIGGER TO SELECTABLE TRIGGER THE FOLLOWING PARTS MUST BE CHANGED AT THE SAME TIME

REF #'s 28, 30, 32, 35, 37A, and 43A

IF SWITCHING FROM GRTSM200 TO GRTSM200a - MUST CHANGE REF 16A AND 50 AT THE SAME TIME